

NEWMAN NEWFLO™

Replacement Diaphragms for ITT®, Saunders® and Gemü™ Valves

New Dependability...

New Performance...

New Value that you can count on!

Precision fit and designed for ITT®, Saunders® and Gemü™ valves, Newman NewFlo™ diaphragms deliver exceptional performance in today's demanding pharmaceutical processing environment. As always, you can count on Newman's reputation for excellence, success and expertise in the pharmaceutical industry.



NEWMAN NewFlo™ Replacement Diaphragm Valves

Time-Tested Materials, Third Party Verified Performance.

1. The elastomer backing is manufactured from Newman's famous polymer-rich 2107 EPDM compound.
2. The TFM™ facing of the diaphragm is made from time proven modified fluoropolymer, the choice of the diaphragm valve industry for pharmaceutical applications and validated for years. Manufacturer certified USP Class VI.
3. Mechanical testing by third party industry experts to 500 steam cycles and over 100,000 valve cycles has demonstrated exceptional steam resistance and long term durability. Newman's backings are shown to impart outstanding sealing properties at the lowest bonnet torque values.

Certified Peace of Mind and Ground Breaking Traceability.

1. Each diaphragm meets the requirements of FDA CFR Title 21 177.2600 (elastomers) and paragraph 177.1550 (perfluorocarbons) and USP Class VI.
2. Setting a new standard for traceability and causing a stir across the industry, every diaphragm is fully batch traceable at the part level, an exclusive in the industry (patent pending). This means that you will know the exact style, size, composition and provenance of every diaphragm in your system, simply by looking at the back of the diaphragm.
3. Each diaphragm is backed by Newman's unbeatable 35 year history in manufacturing of premium elastomer parts for the pharmaceutical industry.

"It's time for a new standard of excellence in sanitary valve diaphragms."

Newman Sanitary Gasket Company (NSG) does not manufacture or sell ITT®, Saunders® or Gemü™ OEM valves or diaphragms. NSG is not affiliated with any of these companies, nor is NSG or any of its products sponsored by or endorsed by any of these companies.

ITT® is a registered trademark of ITT Manufacturing Enterprises, Inc. Gemü™ is a trademark of Gebrüder Muller Apparatebau GmbH & Co., KG and/or Gemü Valves, Inc. Saunders® is a registered trademark of Crane Process Flow Technologies Ltd.

VALIDATION

You may have already validated Newman's NewFlo™ Diaphragm compounds!

Validation of Newman's diaphragms in your system may not require the rigorous procedures and high cost you may be facing with other replacement diaphragms. Specifically created to be substituted in your valves as functional equivalents, Newman diaphragms are precision designed and manufactured from the highest quality conforming materials already validated in the industry. We have chosen to use the best modified fluoropolymer, TFM™ (genuine Dyneon™ Hostaflon® TFM™ from 3M®), which has been shown to have superior steam resistance and outstanding flex life.

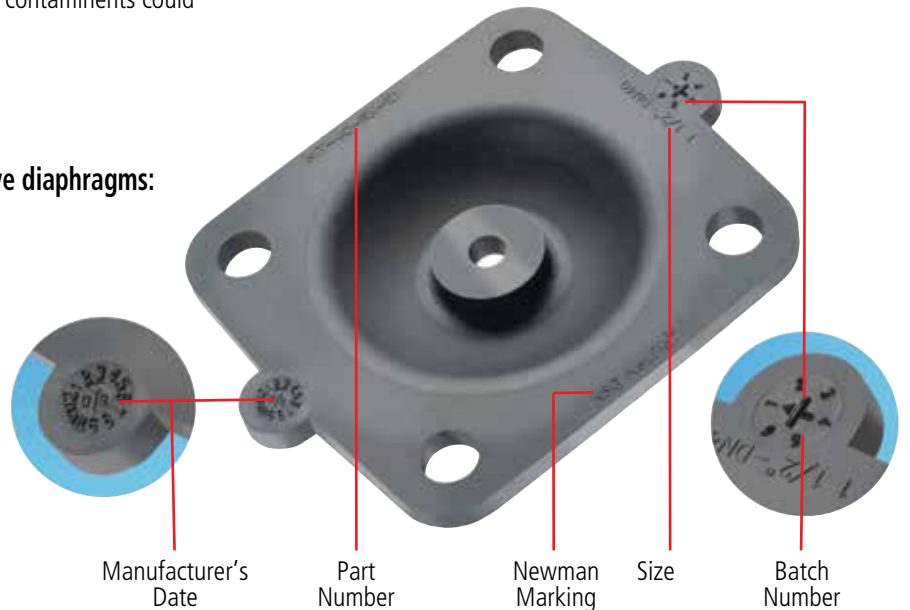
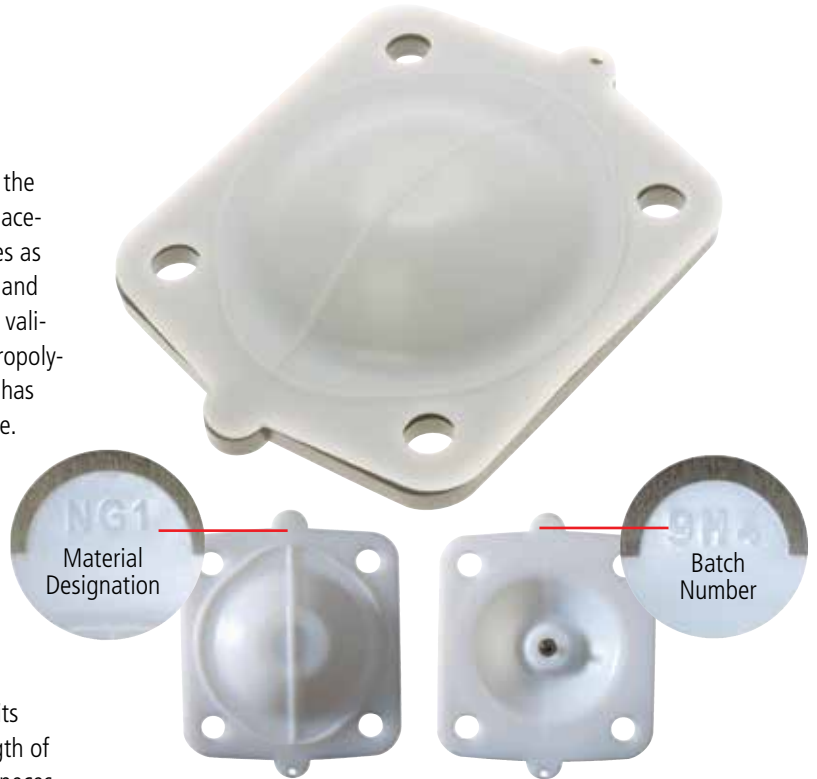
The EPDM backing is made from Newman's premium, polymer rich 2107 compound: the same EPDM used in our gaskets, "O"-rings and OEM parts. You have no doubt validated at least one of our 2107 EPDM products already in use in your processing areas. Newman's EPDM has demonstrated exceptional chemical and steam resistance and provides enhanced sealing properties. Under testing, Newman's diaphragms have successfully performed at the lowest bonnet torque values and have not required retorquing. This benefits service life and reduces maintenance. Because of the dynamic strength of Newman's EPDM, fabric reinforcement of the backing has not been necessary, thus reducing the likelihood that process materials or contaminants could be absorbed and then later released into your system.

Newman NewFlo™ Diaphragms: Setting a new standard of excellence in sanitary valve diaphragms:

- Proven reputation
- Proven materials
- Proven performance
- Unmatched traceability

New value that you can depend on!

For decades Newman has manufactured gaskets, "O"-rings and custom molded EPDM elastomer parts for companies servicing the pharmaceutical industry. For a list of companies that use Newman EPDM parts that you may have validated in the past, contact us.



TFM and Dyneon are trademarks of Dyneon a 3-M company. Hostaflon® is a registered trademark of Dyneon.

For an up-to-date list of test results, contact:



P.O. Box 222, Lebanon, OH 45036 • Phone: 513-932-7379 • Fax: 513-932-4493
E-mail: customer@newmangasket.com • www.newmangasket.com